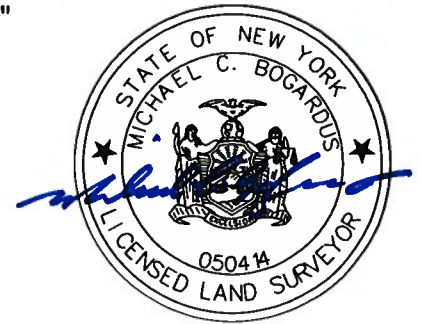


**MONROE COUNTY DEPARTMENT OF TRANSPORTATION  
 "LAKE ROAD, PHASE 1" HIGHWAY PROJECT  
 PERMANENT SURVEY MARKER "PSM 1-1"**

**HIGHWAY PROJECT:  
 LAKE ROAD IMPROVEMENTS, PHASE 1  
 PELLETT ROAD TO WEBSTER ROAD (NY ROUTE 250)  
 TOWN OF WEBSTER**



**SURVEY CERTIFICATION**

I hereby certify that the Permanent Survey Marker listed hereon was installed and positioned in accordance with and to the degree of accuracy required by Section C625.06 of the Monroe County Department of Transportation Standard specifications, and that the marker is within a Local positional accuracy of 0.025 feet based on existing project monumentation and/or data.

Signed: *Michael C. Bogardus* Date: 05/06/2021  
 Michael C. Bogardus  
 New York State Licensed Land Surveyor 050414

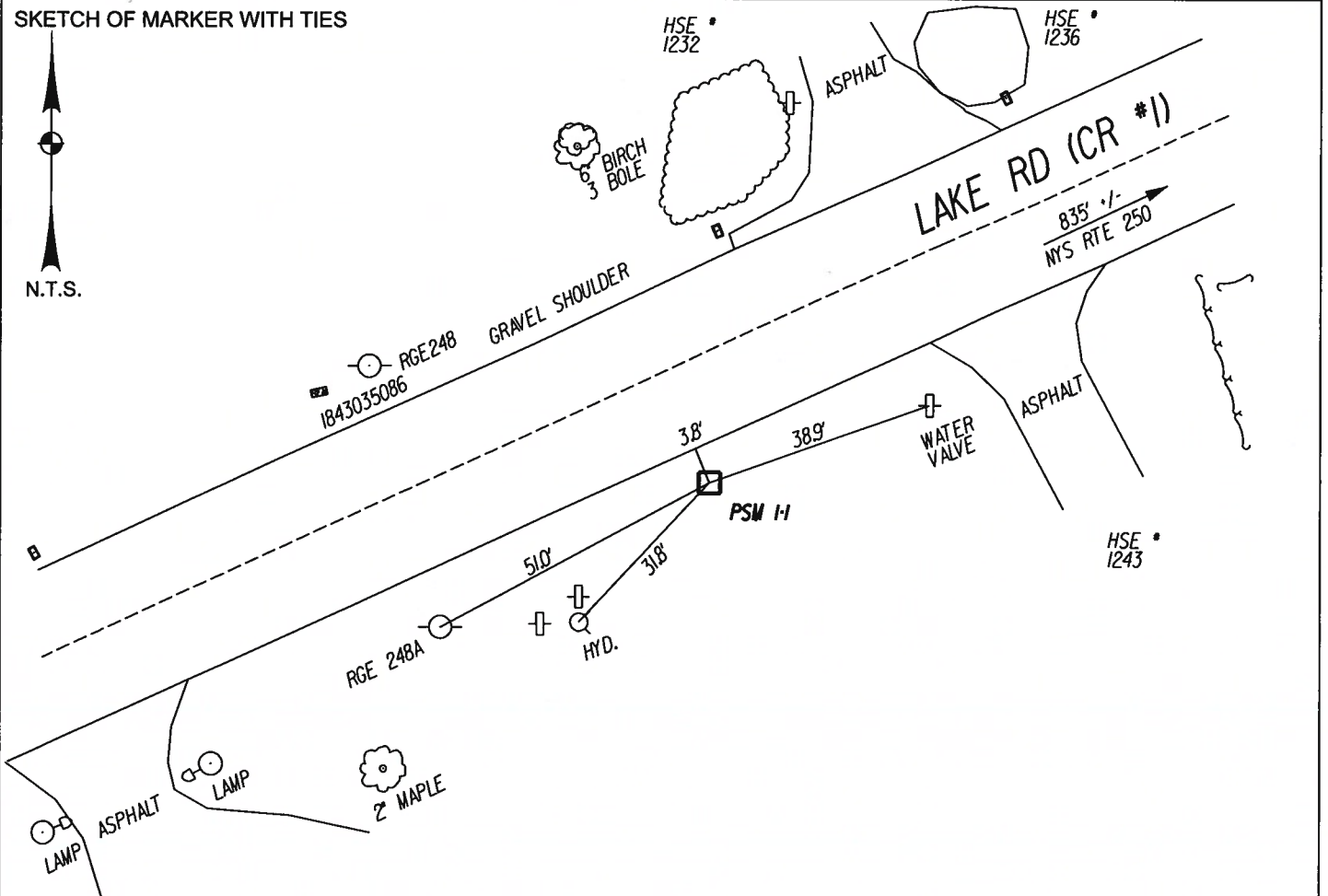
**ALL UNITS ARE ENGLISH AND U.S. SURVEY FEET**

HORIZONTAL DATUM:	NAD 83(2011)	NYS PLANE COORDINATE SYSTEM ZONE: WEST		
GRID NORTHING (Y):	1190865.819	DISTANCE & DIRECTION TO PRECEDING & SUCCEEDING PSM		
GRID EASTING (X):	1453614.308	PSM NUMBER	DISTANCE	GRID BEARING
COMBINED FACTOR:	1.00003581	1-2	1,549.521'	S66°38'58"W
VERTICAL DATUM:	NAVD 88			
ORTHOMETRIC ELEVATION:	290.669'			

**MONUMENT LOCATION AND DETAILED MATERIAL DESCRIPTION**

PSM 1-1 is a Bernsten Top Security Monument w/aluminum disc & cover set on the south side of Lake Rd, approx 835' southwest from the NYS Rte 250 intersection.

**SKETCH OF MARKER WITH TIES**



**TIES TO THIS PERMANENT SURVEY MARKER ARE FOR RECOVERY PURPOSES ONLY**

**MONROE COUNTY DEPARTMENT OF TRANSPORTATION  
 "LAKE ROAD, PHASE 1" HIGHWAY PROJECT  
 PERMANENT SURVEY MARKER "PSM 1-2"**

**HIGHWAY PROJECT:  
 LAKE ROAD IMPROVEMENTS, PHASE 1  
 PELLETT ROAD TO WEBSTER ROAD (NY ROUTE 250)  
 TOWN OF WEBSTER**



**SURVEY CERTIFICATION**

I hereby certify that the Permanent Survey Marker listed hereon was installed and positioned in accordance with and to the degree of accuracy required by Section C625.06 of the Monroe County Department of Transportation Standard specifications, and that the marker is within a Local positional accuracy of 0.025 feet based on existing project monumentation and/or data.

Signed: Michael C. Bogardus Date: 05/06/2021  
 Michael C. Bogardus  
 New York State Licensed Land Surveyor 050414

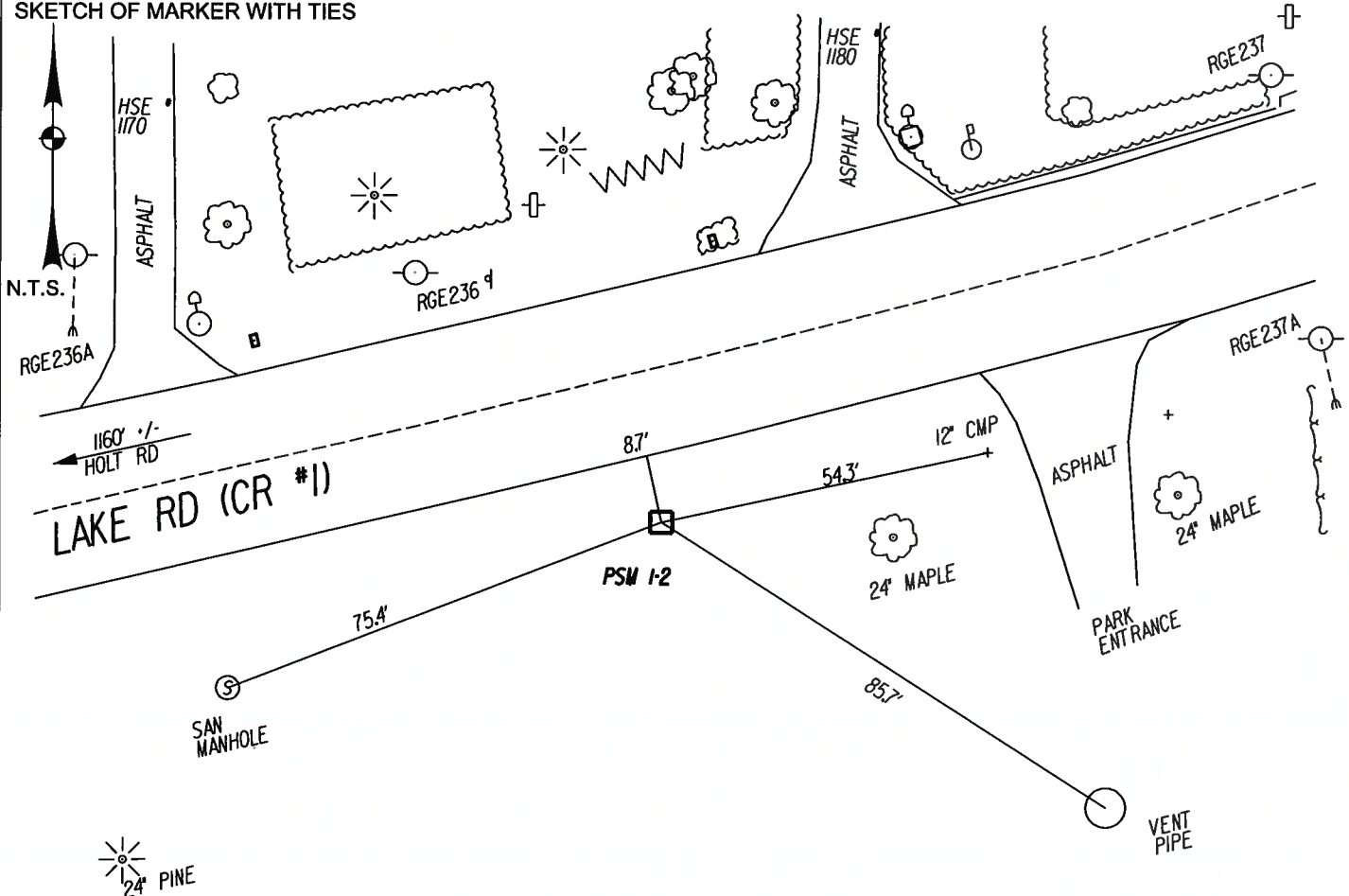
**ALL UNITS ARE ENGLISH AND U.S. SURVEY FEET**

<b>HORIZONTAL DATUM:</b>	NAD 83(2011)	<b>NYS PLANE COORDINATE SYSTEM ZONE:</b> WEST		
<b>GRID NORTHING (Y):</b>	1190251.658	<b>DISTANCE &amp; DIRECTION TO PRECEDING &amp; SUCCEEDING PSM</b>		
<b>GRID EASTING (X):</b>	1452191.697	<b>PSM NUMBER</b>	<b>DISTANCE</b>	<b>GRID BEARING</b>
<b>COMBINED FACTOR:</b>	1.00003558	1-1	1,549.521'	N66°38'58"E
<b>VERTICAL DATUM:</b>	NAVD 88	1-3	1,057.451'	S79°28'06"W
<b>ORTHOMETRIC ELEVATION:</b>	289.606'			

**MONUMENT LOCATION AND DETAILED MATERIAL DESCRIPTION**

PSM 1-2 is a Berntsen Top Security Monument w/aluminum disc & cover set on the south side of Lake Rd, approx 1,160' northeast from the Holt Rd intersection.

**SKETCH OF MARKER WITH TIES**



**TIES TO THIS PERMANENT SURVEY MARKER ARE FOR RECOVERY PURPOSES ONLY**

**MONROE COUNTY DEPARTMENT OF TRANSPORTATION  
 "LAKE ROAD, PHASE 1" HIGHWAY PROJECT  
 PERMANENT SURVEY MARKER "PSM 1-3"**

**HIGHWAY PROJECT:**  
 LAKE ROAD IMPROVEMENTS, PHASE 1  
 PELLETT ROAD TO WEBSTER ROAD (NY ROUTE 250)  
 TOWN OF WEBSTER



**SURVEY CERTIFICATION**

I hereby certify that the Permanent Survey Marker listed hereon was installed and positioned in accordance with and to the degree of accuracy required by Section C625.06 of the Monroe County Department of Transportation Standard specifications, and that the marker is within a Local positional accuracy of 0.025 feet based on existing project monumentation and/or data.

Signed: Michael C. Bogardus Date: 05/06/2021  
 Michael C. Bogardus  
 New York State Licensed Land Surveyor 050414

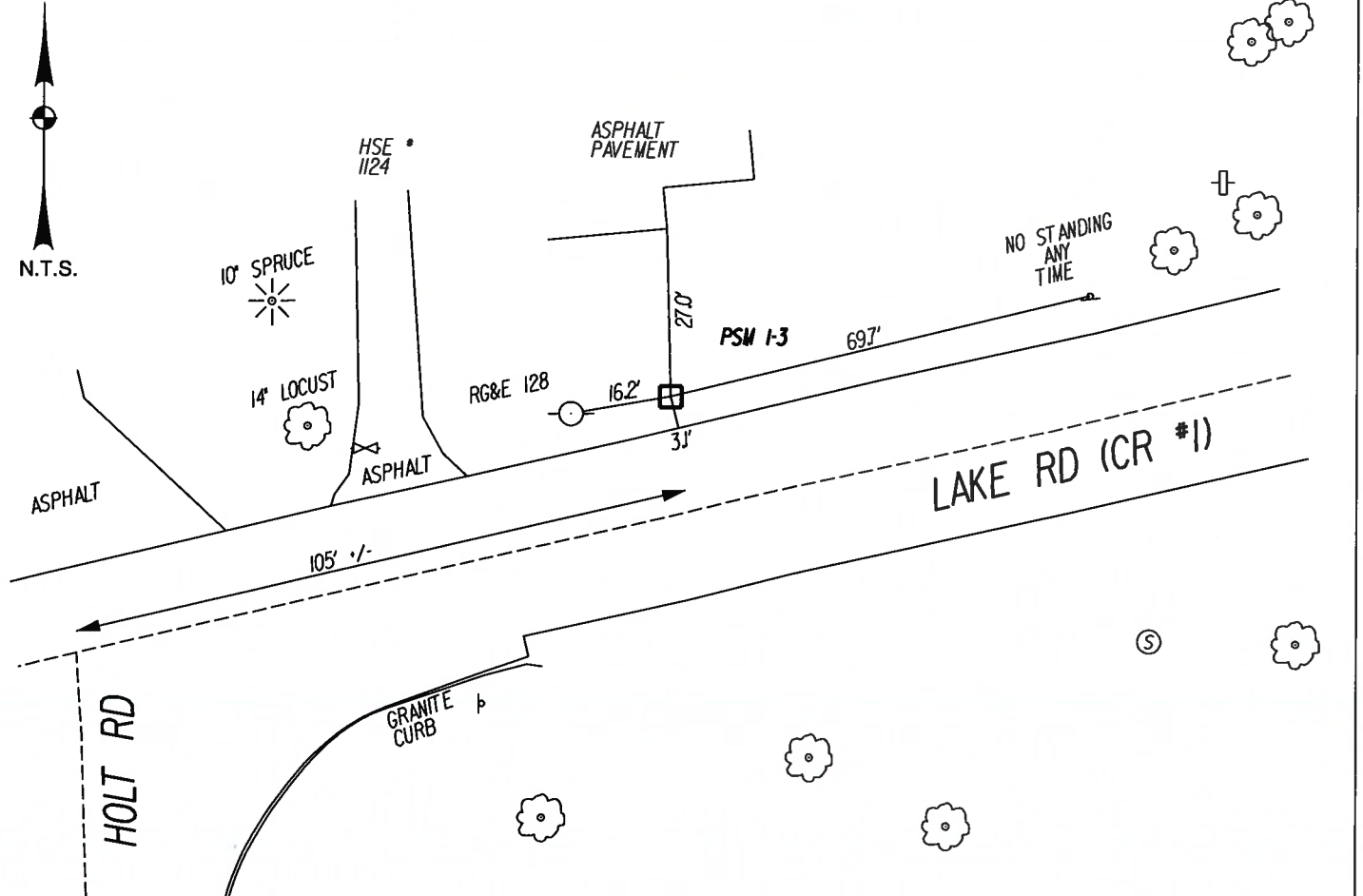
ALL UNITS ARE ENGLISH AND U.S. SURVEY FEET

HORIZONTAL DATUM:	NAD 83(2011)	NYS PLANE COORDINATE SYSTEM ZONE: WEST		
GRID NORTHING (Y):	1190058.378	DISTANCE & DIRECTION TO PRECEDING & SUCCEEDING PSM		
GRID EASTING (X):	1451152.060	PSM NUMBER	DISTANCE	GRID BEARING
COMBINED FACTOR:	1.00003486	1-2	1,057.451'	N79°28'06"E
VERTICAL DATUM:	NAVD 88	1-4	NOT INTER VISIBLE	
ORTHOMETRIC ELEVATION:	294.829'			

**MONUMENT LOCATION AND DETAILED MATERIAL DESCRIPTION**

PSM 1-3 is a Berntsen Top Security Monument w/aluminum disc & cover set on the north side of Lake Rd, approx 105' northeast from the Holt Rd intersection.

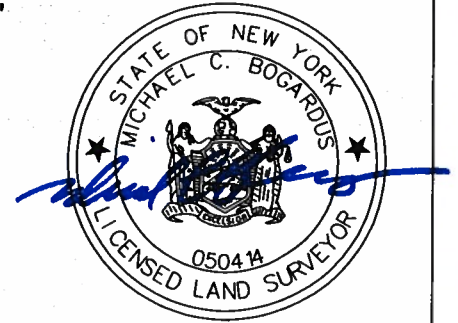
**SKETCH OF MARKER WITH TIES**



TIES TO THIS PERMANENT SURVEY MARKER ARE FOR RECOVERY PURPOSES ONLY

**MONROE COUNTY DEPARTMENT OF TRANSPORTATION  
 "LAKE ROAD, PHASE 1" HIGHWAY PROJECT  
 PERMANENT SURVEY MARKER "PSM 1-4"**

**HIGHWAY PROJECT:  
 LAKE ROAD IMPROVEMENTS, PHASE 1  
 PELLETT ROAD TO WEBSTER ROAD (NY ROUTE 250)  
 TOWN OF WEBSTER**



**SURVEY CERTIFICATION**

I hereby certify that the Permanent Survey Marker listed hereon was installed and positioned in accordance with and to the degree of accuracy required by Section C625.06 of the Monroe County Department of Transportation Standard specifications, and that the marker is within a Local positional accuracy of 0.025 feet based on existing project monumentation and/or data.

Signed: Michael C. Bogardus Date: 05/06/2021  
 Michael C. Bogardus  
 New York State Licensed Land Surveyor 050414

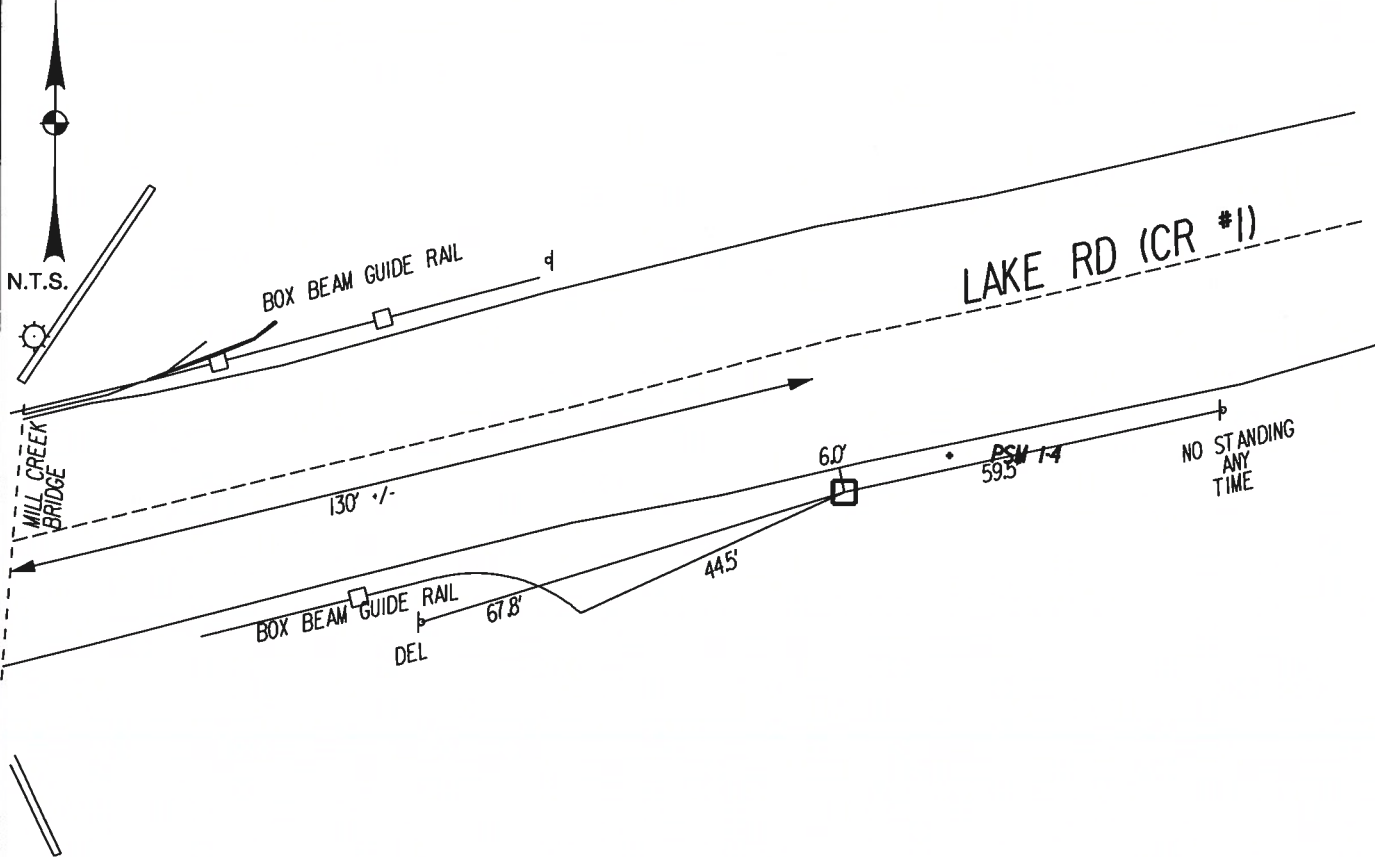
**ALL UNITS ARE ENGLISH AND U.S. SURVEY FEET**

HORIZONTAL DATUM:	NAD 83(2011)	NYS PLANE COORDINATE SYSTEM ZONE: WEST		
GRID NORTHING (Y):	1189765.446	DISTANCE & DIRECTION TO PRECEDING & SUCCEEDING PSM		
GRID EASTING (X):	1450095.726	PSM NUMBER	DISTANCE	GRID BEARING
COMBINED FACTOR:	1.00003474	1-3	NOT INTER VISIBLE	
VERTICAL DATUM:	NAVD 88	1-5	1,541.558'	S79°07'32"W
ORTHOMETRIC ELEVATION:	262.232'			

**MONUMENT LOCATION AND DETAILED MATERIAL DESCRIPTION**

PSM 1-4 is a Berntsen Top Security Monument w/aluminum disc & cover set on the south side of Lake Rd, approx 130' northeast from the bridge over Mill Creek.

**SKETCH OF MARKER WITH TIES**



TIES TO THIS PERMANENT SURVEY MARKER ARE FOR RECOVERY PURPOSES ONLY



**MONROE COUNTY DEPARTMENT OF TRANSPORTATION  
"LAKE ROAD, PHASE 1" HIGHWAY PROJECT  
PERMANENT SURVEY MARKER "PSM 1-5"**

**HIGHWAY PROJECT:  
LAKE ROAD IMPROVEMENTS, PHASE 1  
PELLETT ROAD TO WEBSTER ROAD (NY ROUTE 250)  
TOWN OF WEBSTER**



**SURVEY CERTIFICATION**

I hereby certify that the Permanent Survey Marker listed hereon was installed and positioned in accordance with and to the degree of accuracy required by Section C625.06 of the Monroe County Department of Transportation Standard specifications, and that the marker is within a Local positional accuracy of 0.025 feet based on existing project monummentation and/or data.

Signed: Michael C. Bogardus Date: 05/06/2021  
Michael C. Bogardus  
New York State Licensed Land Surveyor 050414

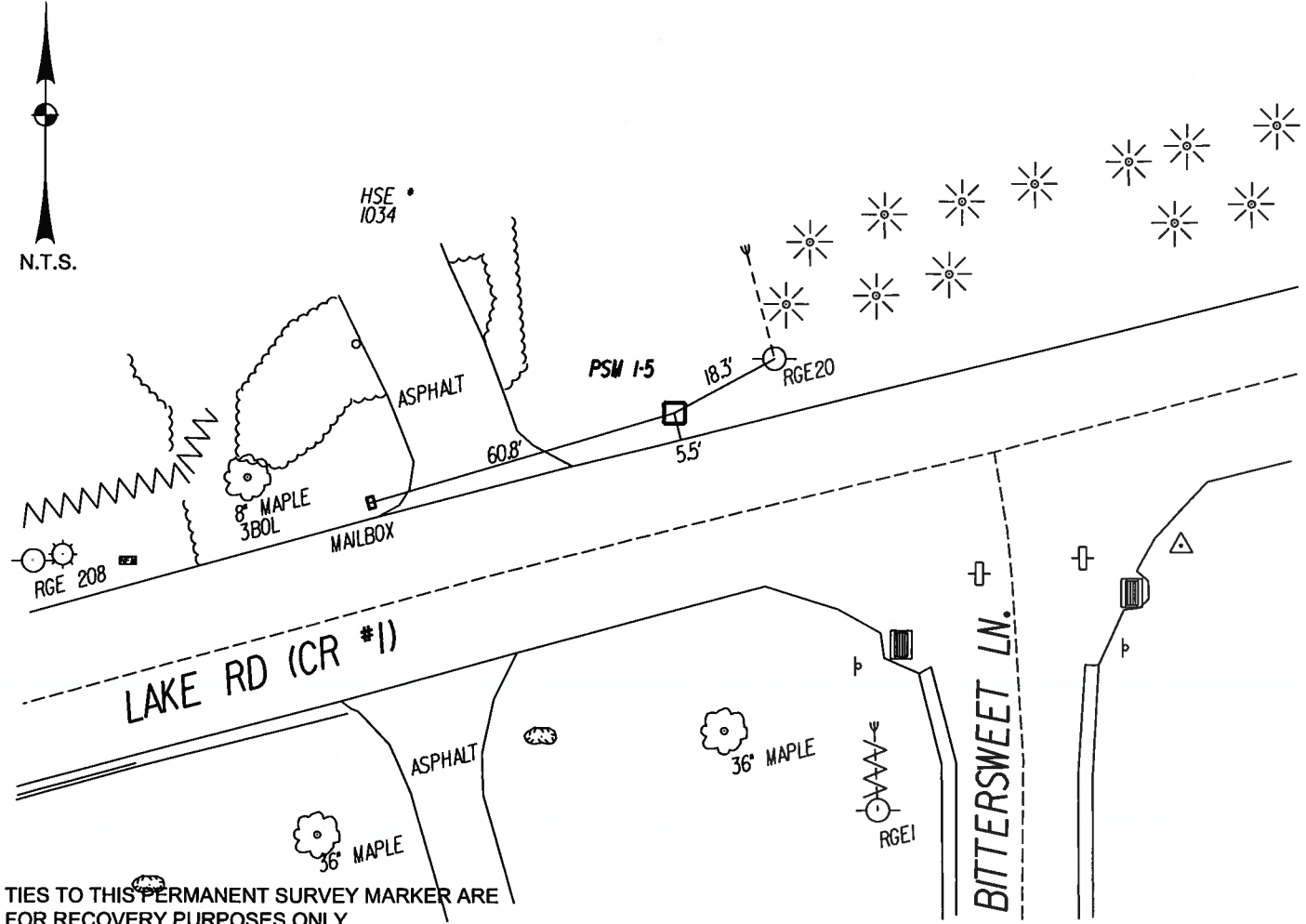
ALL UNITS ARE ENGLISH AND U.S. SURVEY FEET

HORIZONTAL DATUM:	NAD 83(2011)	NYS PLANE COORDINATE SYSTEM ZONE: WEST		
GRID NORTHING (Y):	1189474.623	DISTANCE & DIRECTION TO PRECEDING & SUCCEEDING PSM		
GRID EASTING (X):	1448581.849	PSM NUMBER	DISTANCE	GRID BEARING
COMBINED FACTOR:	1.00003244	1-4	1,541.558'	N79°07'32"E
VERTICAL DATUM:	NAVD 88	1-6	1,281.126'	S73°01'19"W
ORTHOMETRIC ELEVATION:	288.418'			

**MONUMENT LOCATION AND DETAILED MATERIAL DESCRIPTION**

PSM 1-5 is a Berntsen Top Security Monument w/aluminum disc & cover set on the north side of Lake Rd, approx 50' southwest from the Bittersweet Lane intersection.

**SKETCH OF MARKER WITH TIES**



TIES TO THIS PERMANENT SURVEY MARKER ARE FOR RECOVERY PURPOSES ONLY

**MONROE COUNTY DEPARTMENT OF TRANSPORTATION  
 "LAKE ROAD, PHASE 1" HIGHWAY PROJECT  
 PERMANENT SURVEY MARKER "PSM 1-6"**

**HIGHWAY PROJECT:  
 LAKE ROAD IMPROVEMENTS, PHASE 1  
 PELLETT ROAD TO WEBSTER ROAD (NY ROUTE 250)  
 TOWN OF WEBSTER**



**SURVEY CERTIFICATION**

I hereby certify that the Permanent Survey Marker listed hereon was installed and positioned in accordance with and to the degree of accuracy required by Section C625.06 of the Monroe County Department of Transportation Standard specifications, and that the marker is within a Local positional accuracy of 0.025 feet based on existing project monumentation and/or data.

Signed: *Michael C. Bogardus* Date: 05/06/2021  
 Michael C. Bogardus  
 New York State Licensed Land Surveyor 050414

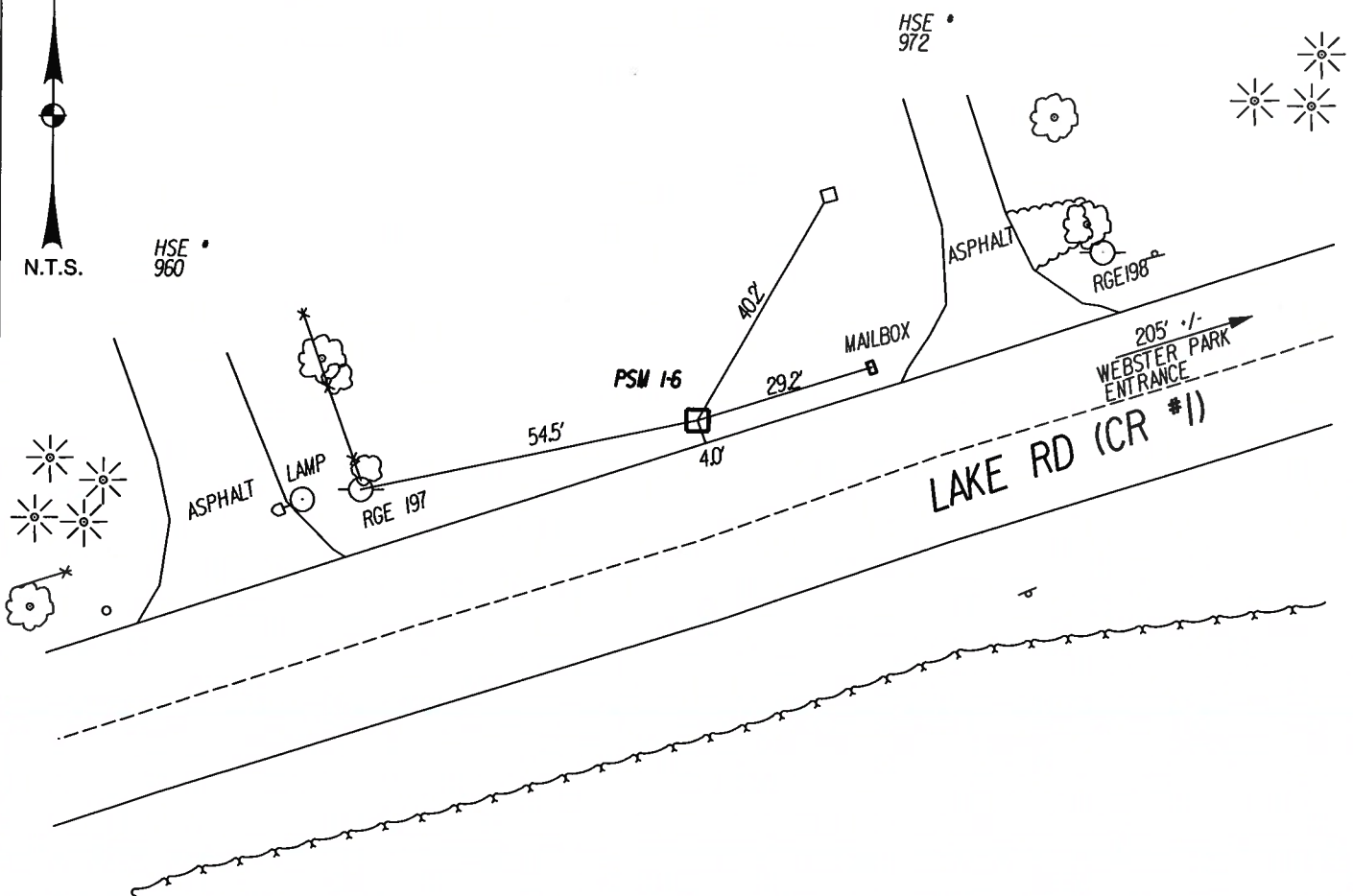
**ALL UNITS ARE ENGLISH AND U.S. SURVEY FEET**

<b>HORIZONTAL DATUM:</b>	NAD 83(2011)	<b>NYS PLANE COORDINATE SYSTEM ZONE: WEST</b>		
<b>GRID NORTHING (Y):</b>	1189100.529	<b>DISTANCE &amp; DIRECTION TO PRECEDING &amp; SUCCEEDING PSM</b>		
<b>GRID EASTING (X):</b>	1447356.558	<b>PSM NUMBER</b>	<b>DISTANCE</b>	<b>GRID BEARING</b>
<b>COMBINED FACTOR:</b>	1.00003225	1-5	1,281.126'	N73°01'19"E
<b>VERTICAL DATUM:</b>	NAVD 88	1-7	1,114.086'	S67°59'04"W
<b>ORTHOMETRIC ELEVATION:</b>	290.378'			

**MONUMENT LOCATION AND DETAILED MATERIAL DESCRIPTION**

PSM 1-6 is a Berntsen Top Security Monument w/aluminum disc & cover set on the north side of Lake Rd, approx 205' southwest from the Webster Park Rd Entrance.

**SKETCH OF MARKER WITH TIES**



**TIES TO THIS PERMANENT SURVEY MARKER ARE FOR RECOVERY PURPOSES ONLY**

**MONROE COUNTY DEPARTMENT OF TRANSPORTATION  
"LAKE ROAD, PHASE 1" HIGHWAY PROJECT  
PERMANENT SURVEY MARKER "PSM 1-7"**

**HIGHWAY PROJECT:  
LAKE ROAD IMPROVEMENTS, PHASE 1  
PELLETT ROAD TO WEBSTER ROAD (NY ROUTE 250)  
TOWN OF WEBSTER**



**SURVEY CERTIFICATION**

I hereby certify that the Permanent Survey Marker listed hereon was installed and positioned in accordance with and to the degree of accuracy required by Section C625.06 of the Monroe County Department of Transportation Standard specifications, and that the marker is within a Local positional accuracy of 0.025 feet based on existing project monumentation and/or data.

Signed: *Michael C. Bogardus* Date: 05/06/2021  
Michael C. Bogardus  
New York State Licensed Land Surveyor 050414

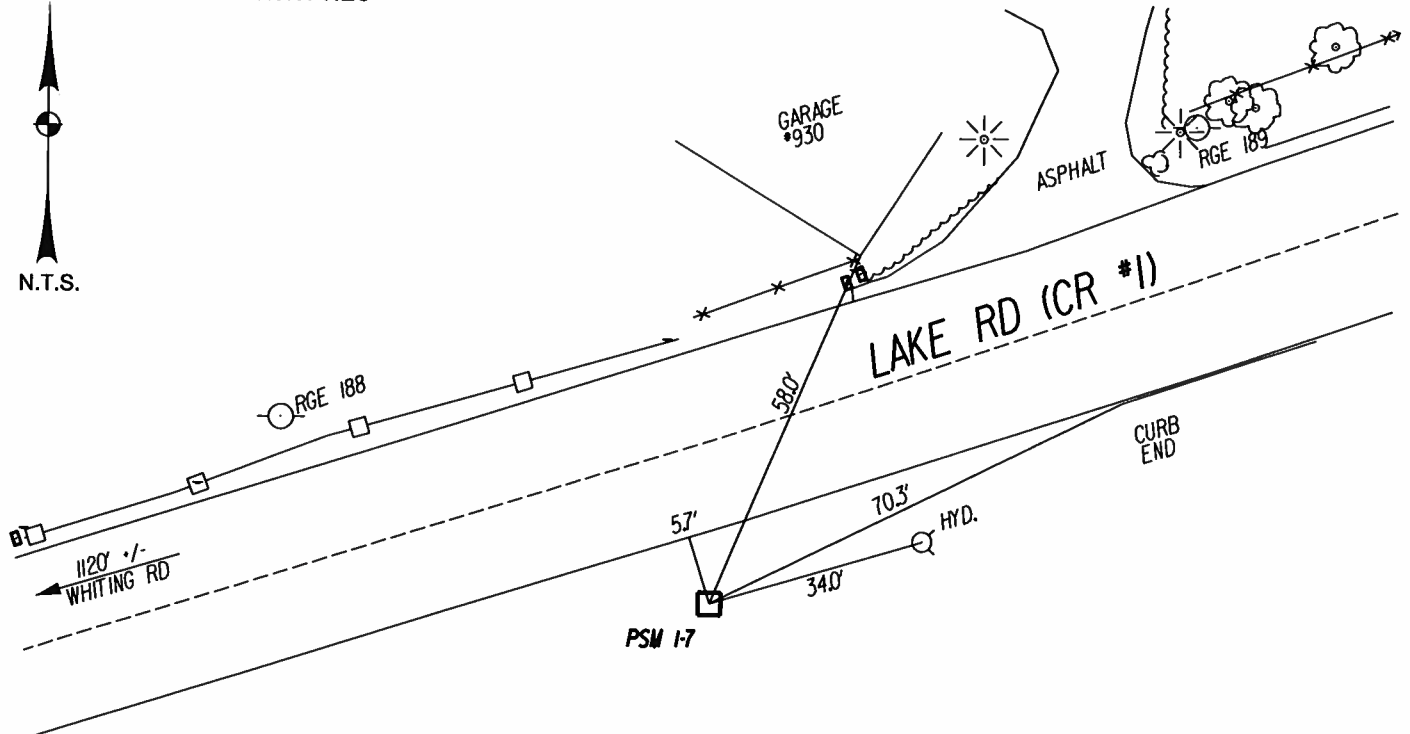
**ALL UNITS ARE ENGLISH AND U.S. SURVEY FEET**

HORIZONTAL DATUM:	NAD 83(2011)	NYS PLANE COORDINATE SYSTEM ZONE: WEST		
GRID NORTHING (Y):	1188682.905	DISTANCE & DIRECTION TO PRECEDING & SUCCEEDING PSM		
GRID EASTING (X):	1446323.709	PSM NUMBER	DISTANCE	GRID BEARING
COMBINED FACTOR:	1.00003154	1-6	1,114.086'	N67°59'04"E
VERTICAL DATUM:	NAVD 88	1-8	NOT INTER VISIBLE	
ORTHOMETRIC ELEVATION:	285.627'			

**MONUMENT LOCATION AND DETAILED MATERIAL DESCRIPTION**

PSM 1-7 is a Berntsen Top Security Monument w/aluminum disc & cover set on the north side of Lake Rd, approx 1,120' northeast from the Whiting Rd intersection.

**SKETCH OF MARKER WITH TIES**



**TIES TO THIS PERMANENT SURVEY MARKER ARE FOR RECOVERY PURPOSES ONLY**

**MONROE COUNTY DEPARTMENT OF TRANSPORTATION  
"LAKE ROAD, PHASE 1" HIGHWAY PROJECT  
PERMANENT SURVEY MARKER "PSM 1-8"**

**HIGHWAY PROJECT:  
LAKE ROAD IMPROVEMENTS, PHASE 1  
PELLETT ROAD TO WEBSTER ROAD (NY ROUTE 250)  
TOWN OF WEBSTER**



**SURVEY CERTIFICATION**

I hereby certify that the Permanent Survey Marker listed hereon was installed and positioned in accordance with and to the degree of accuracy required by Section C625.06 of the Monroe County Department of Transportation Standard specifications, and that the marker is within a Local positional accuracy of 0.025 feet based on existing project monumentation and/or data.

Signed: *Michael C. Bogardus* Date: 05/06/2021  
Michael C. Bogardus  
New York State Licensed Land Surveyor 050414

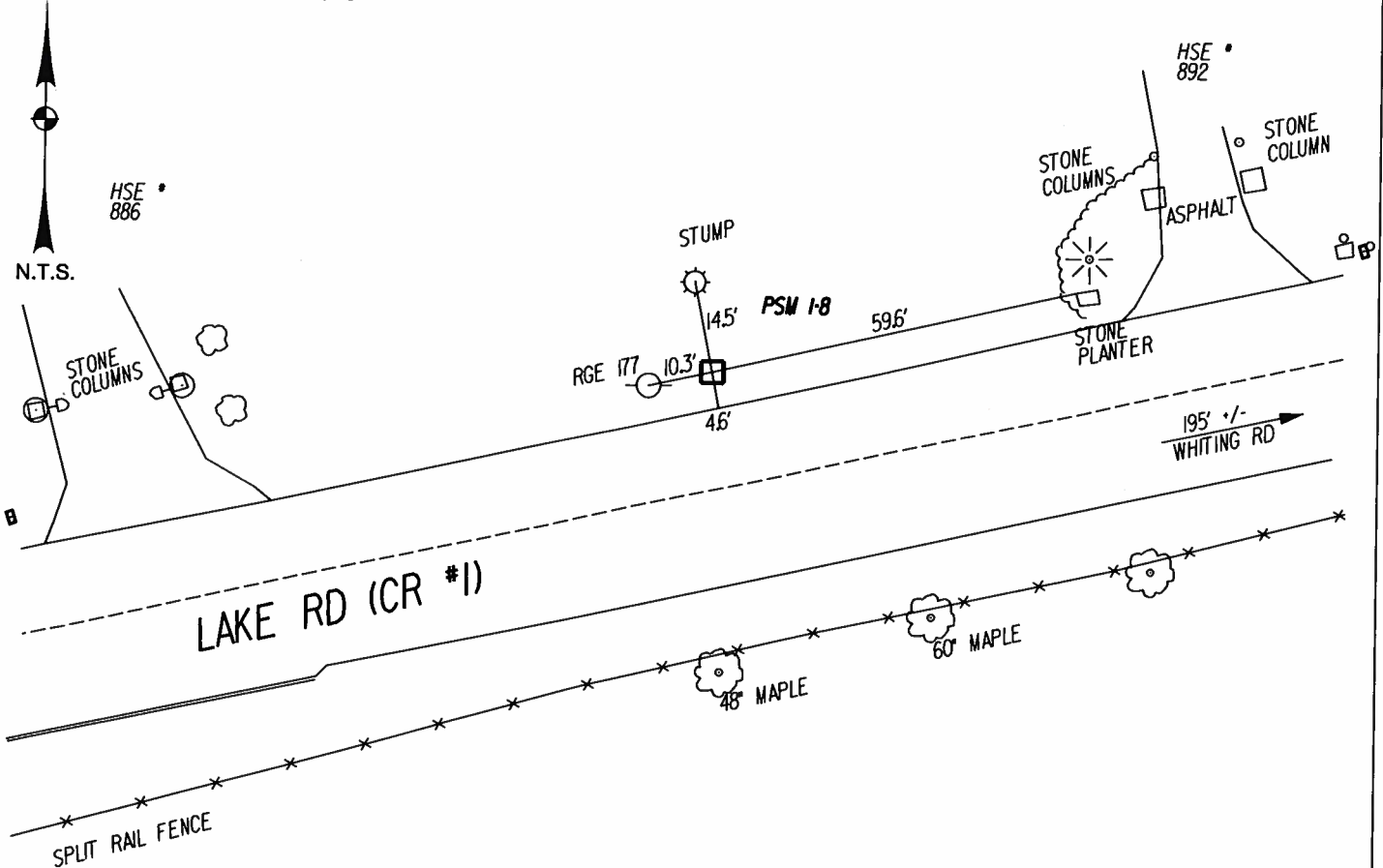
**ALL UNITS ARE ENGLISH AND U.S. SURVEY FEET**

HORIZONTAL DATUM:	NAD 83(2011)	NYS PLANE COORDINATE SYSTEM ZONE: WEST		
GRID NORTHING (Y):	1188348.846	DISTANCE & DIRECTION TO PRECEDING & SUCCEEDING PSM		
GRID EASTING (X):	1445050.733	PSM NUMBER	DISTANCE	GRID BEARING
COMBINED FACTOR:	1.00003068	1-7	NOT INTER VISIBLE	
VERTICAL DATUM:	NAVD 88	1-9	1,235.793'	S73°27'57"W
ORTHOMETRIC ELEVATION:	288.157'			

**MONUMENT LOCATION AND DETAILED MATERIAL DESCRIPTION**

PSM 1-8 is a Berntsen Top Security Monument w/aluminum disc & cover set on the north side of Lake Rd, approx 195' southwest from the Whiting Rd intersection.

**SKETCH OF MARKER WITH TIES**



**TIES TO THIS PERMANENT SURVEY MARKER ARE FOR RECOVERY PURPOSES ONLY**



**MONROE COUNTY DEPARTMENT OF TRANSPORTATION  
 "LAKE ROAD, PHASE 1" HIGHWAY PROJECT  
 PERMANENT SURVEY MARKER "PSM 1-9"**

**HIGHWAY PROJECT:  
 LAKE ROAD IMPROVEMENTS, PHASE 1  
 PELLETT ROAD TO WEBSTER ROAD (NY ROUTE 250)  
 TOWN OF WEBSTER**



**SURVEY CERTIFICATION**

I hereby certify that the Permanent Survey Marker listed hereon was installed and positioned in accordance with and to the degree of accuracy required by Section C625.06 of the Monroe County Department of Transportation Standard specifications, and that the marker is within a Local positional accuracy of 0.025 feet based on existing project monumentation and/or data.

Signed: *Michael C. Bogardus* Date: 05/06/2021  
 Michael C. Bogardus  
 New York State Licensed Land Surveyor 050414

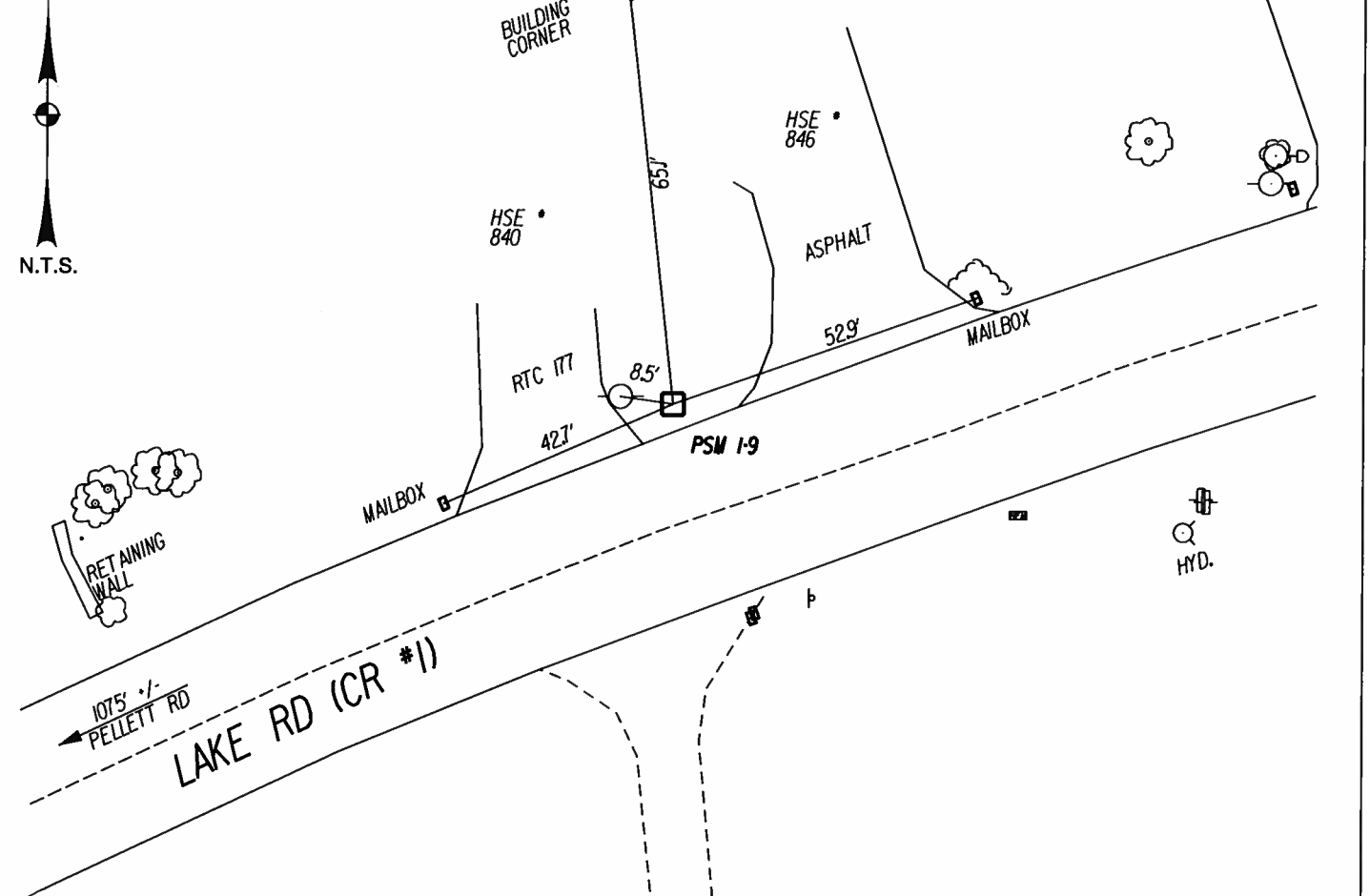
**ALL UNITS ARE ENGLISH AND U.S. SURVEY FEET**

HORIZONTAL DATUM:	NAD 83(2011)	NYS PLANE COORDINATE SYSTEM ZONE: WEST		
GRID NORTHING (Y):	1187997.155	DISTANCE & DIRECTION TO PRECEDING & SUCCEEDING PSM		
GRID EASTING (X):	1443866.040	PSM NUMBER	DISTANCE	GRID BEARING
COMBINED FACTOR:	1.00002895	1-8	1,235.793'	N73°27'57"E
VERTICAL DATUM:	NAVD 88	1-10	1,043.590'	S54°35'03"W
ORTHOMETRIC ELEVATION:	294.317'			

**MONUMENT LOCATION AND DETAILED MATERIAL DESCRIPTION**

PSM 1-9 is a Berntsen Top Security Monument w/aluminum disc & cover set on the north side of Lake Rd, approx 1,075' northeast from the Pellett Rd intersection.

**SKETCH OF MARKER WITH TIES**



**TIES TO THIS PERMANENT SURVEY MARKER ARE FOR RECOVERY PURPOSES ONLY**

**MONROE COUNTY DEPARTMENT OF TRANSPORTATION  
 "LAKE ROAD, PHASE 1" HIGHWAY PROJECT  
 PERMANENT SURVEY MARKER "PSM 1-10"**

**HIGHWAY PROJECT:  
 LAKE ROAD IMPROVEMENTS, PHASE 1  
 PELLETT ROAD TO WEBSTER ROAD (NY ROUTE 250)  
 TOWN OF WEBSTER**



**SURVEY CERTIFICATION**

I hereby certify that the Permanent Survey Marker listed hereon was installed and positioned in accordance with and to the degree of accuracy required by Section C625.06 of the Monroe County Department of Transportation Standard specifications, and that the marker is within a Local positional accuracy of 0.025 feet based on existing project monumentation and/or data.

Signed: *Michael C. Bogardus* Date: 05/06/2021  
 Michael C. Bogardus  
 New York State Licensed Land Surveyor 050414

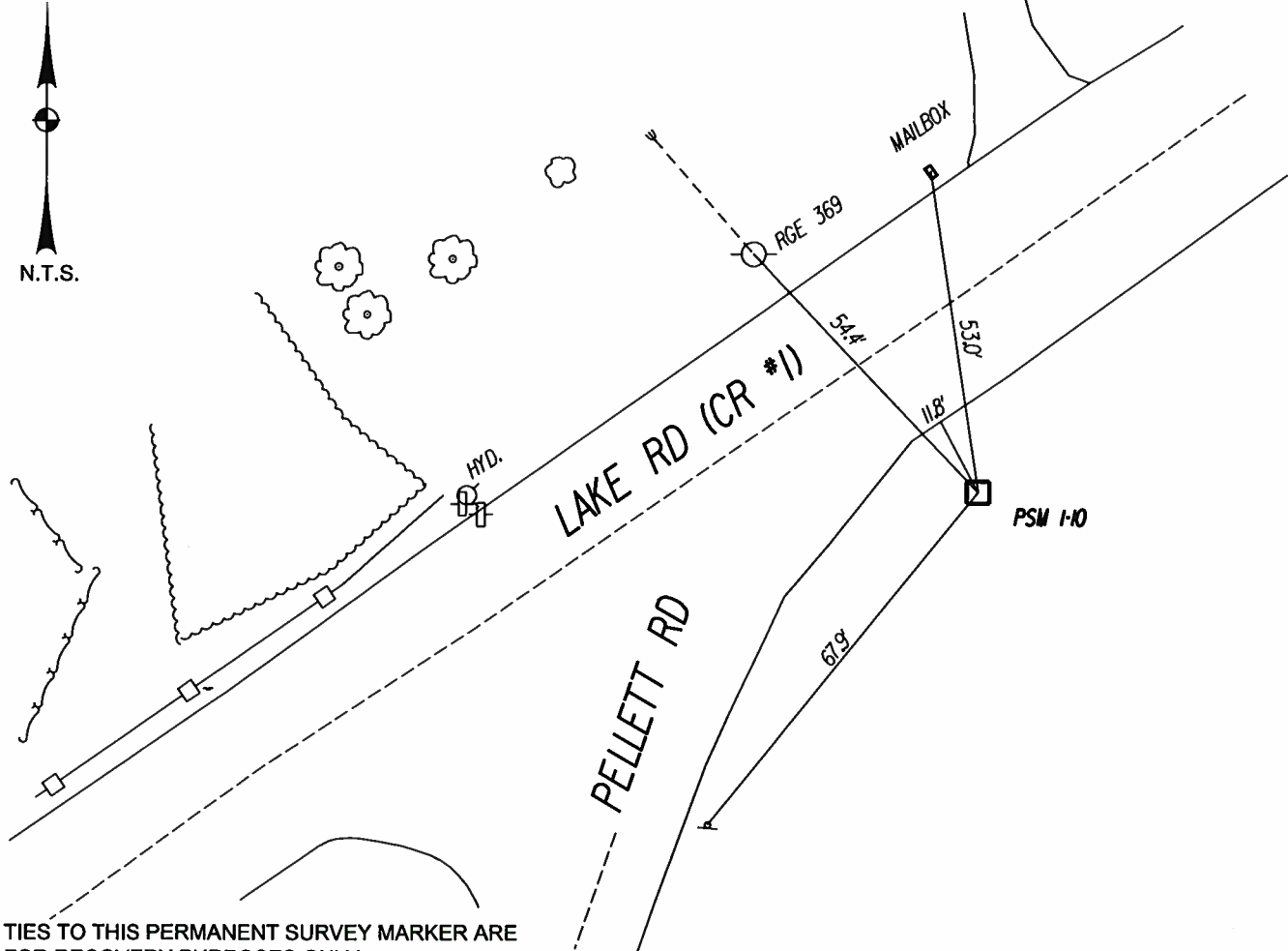
ALL UNITS ARE ENGLISH AND U.S. SURVEY FEET

HORIZONTAL DATUM:	NAD 83(2011)	NYS PLANE COORDINATE SYSTEM ZONE: WEST		
GRID NORTHING (Y):	1187392.386	DISTANCE & DIRECTION TO PRECEDING & SUCCEEDING PSM		
GRID EASTING (X):	1443015.549	PSM NUMBER	DISTANCE	GRID BEARING
COMBINED FACTOR:	1.00002815	1-9	1,043.590'	N54°35'03"E
VERTICAL DATUM:	NAVD 88			
ORTHOMETRIC ELEVATION:	299.036'			

**MONUMENT LOCATION AND DETAILED MATERIAL DESCRIPTION**

PSM 1-10 is a Berntsen Top Security Monument w/aluminum disc & cover set at the southeast corner of Lake Rd and Pellett Rd.

**SKETCH OF MARKER WITH TIES**



TIES TO THIS PERMANENT SURVEY MARKER ARE FOR RECOVERY PURPOSES ONLY